



HY-CL10B

CLUSTERT BRACKET

The HY-CL10B Cluster Bracket is used for cluster ceiling suspension of 4 F-1000 Series or F-1300 Series speakers.



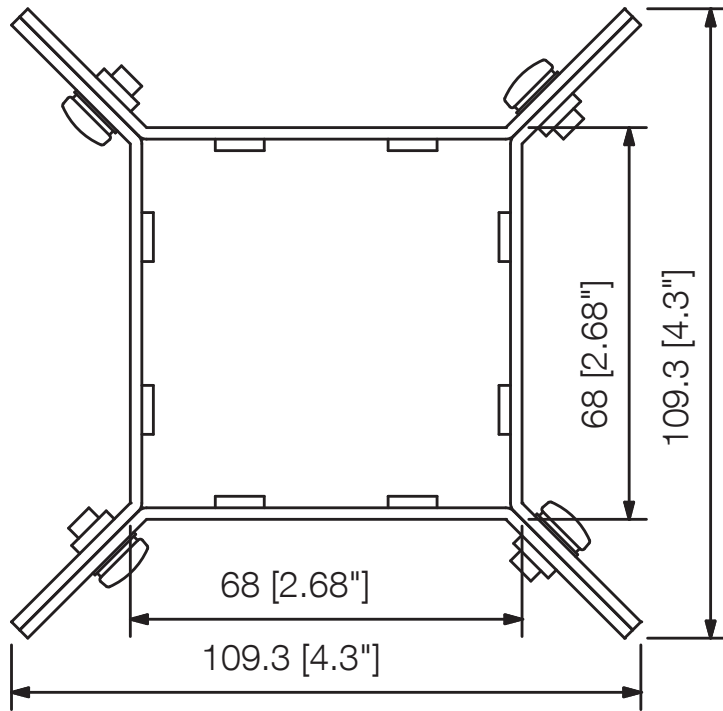
Article number:HY-CL10B

Specifications

Finish	Steel plate, paint, white,
--------	----------------------------

Appearance

Top View



Front View

