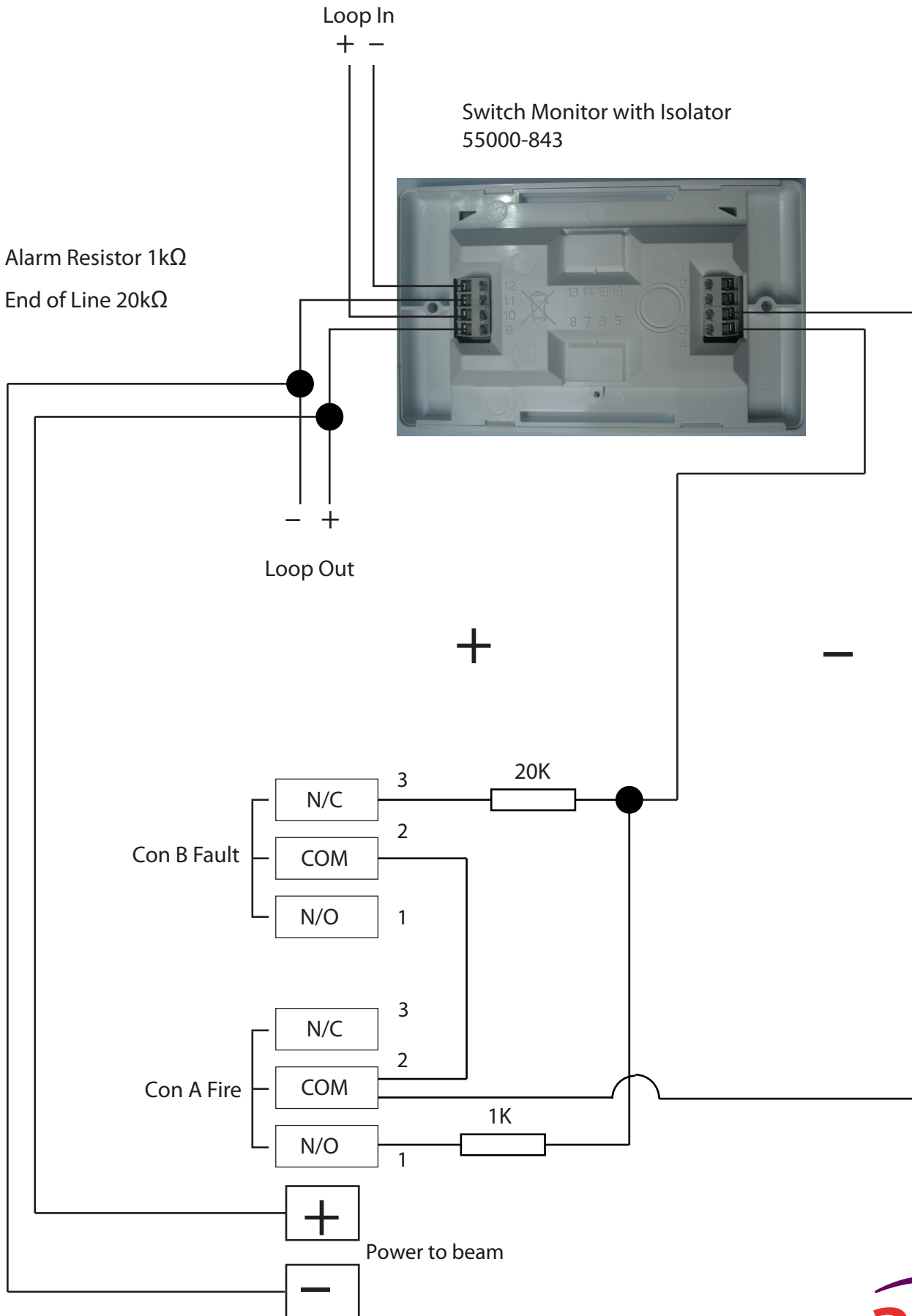


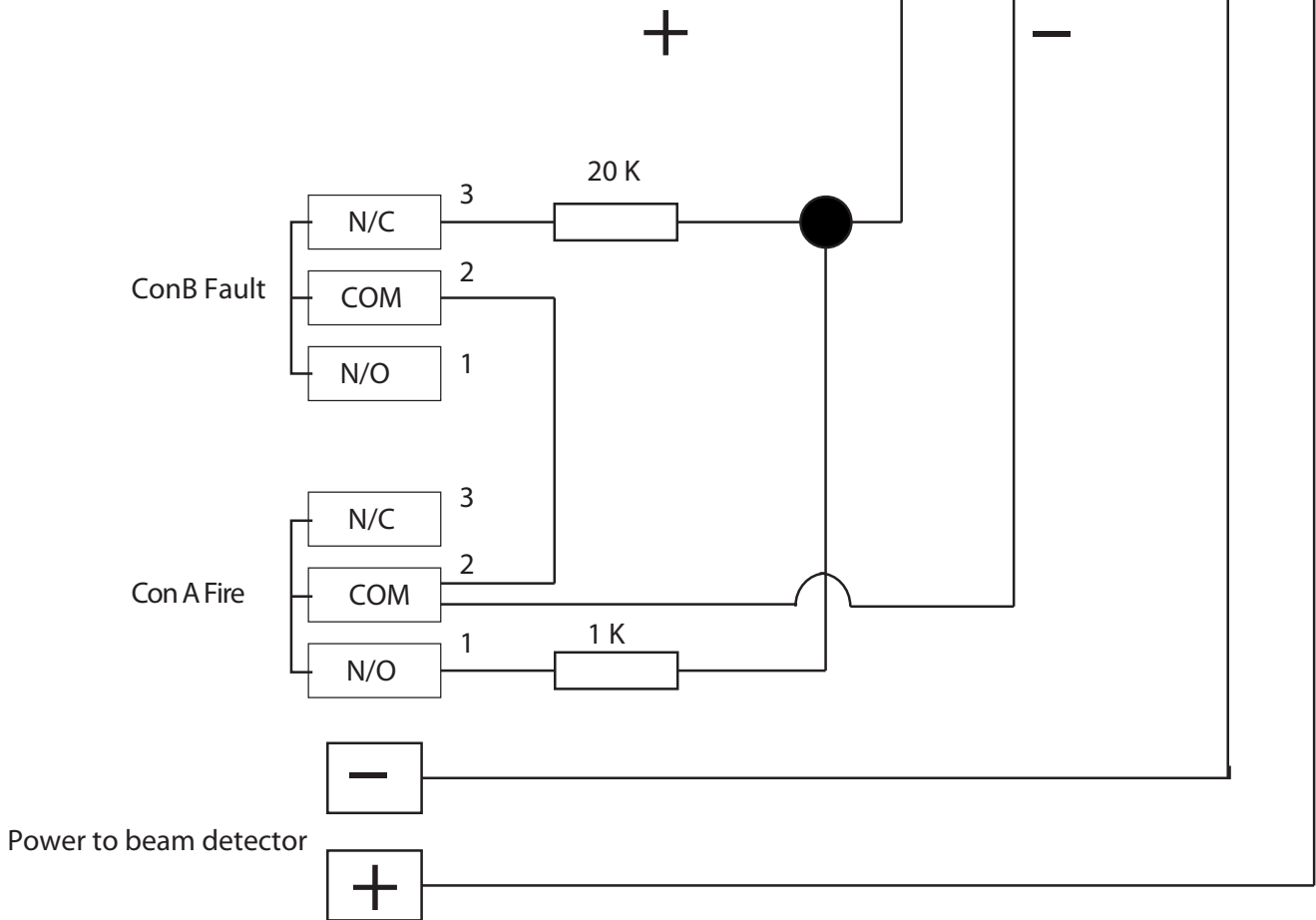
# Interfacing Auto-Aligning Beam Detector with Laser Alignment (29600-524) with a Switch Monitor (55000-843)



# Interfacing Auto-Aligning Beam Detector with Laser Alignment (29600-xxx) with a Mini Switch Monitor (55000-760)

Loop - Out    Loop - In    L + Loop In/Out

Mini Switch Monitor  
55000-760



End of Line 20k  $\Omega$

Alarm Resistor 1k  $\Omega$

© Apollo Fire Detectors Limited 2008-2010/TP/AL

